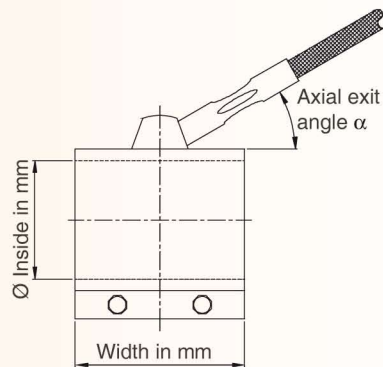


HERMETIC CLAMPS FOR NOZZLES, MODELS RCAH

General characteristics

- Sheath in brass or stainless steel.
- Heating element in wire or ribbon Nickel-Chrome alloy 80-20 quality, wound around mica insulation adaptable to high temperatures.
- Connection cables with mesh protection (2 wires + ground wire) of 400 mm long.
- Standard voltage ~230 V.
- If you require, we can supply with other dimensions, voltages and power. Also, with holes for thermocouple.



HERMETIC CLAMPS FOR NOZZLES IN BRASS SHEATH, MODELS RCAH45

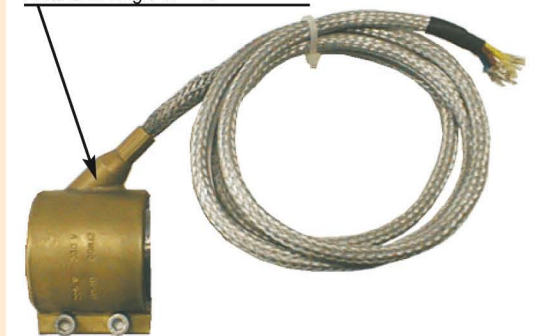
Code	Dimensions in mm		Watts	Weight in Kg
	Øinside	Wide		
RCAH45-25X30	Ø25	30	105	0,11
RCAH45-30X20	Ø30	20	100	0,10
RCAH45-30X25	Ø30	25	100	0,10
RCAH45-30X30	Ø30	30	125	0,12
RCAH45-30X40	Ø30	40	180	0,12
RCAH45-35X20	Ø35	20	100	0,11
RCAH45-35X25	Ø35	25	120	0,10
RCAH45-35X30	Ø35	30	150	0,11
RCAH45-35X35	Ø35	35	180	0,12
RCAH45-35X40	Ø35	40	200	0,13
RCAH45-35X45	Ø35	45	225	0,13
RCAH45-40X20	Ø40	20	115	0,10
RCAH45-40X25	Ø40	25	150	0,11
RCAH45-40X30	Ø40	30	180	0,12
RCAH45-40X35	Ø40	35	190	0,13
RCAH45-40X40	Ø40	40	220	0,14
RCAH45-40X50	Ø40	50	300	0,15
RCAH45-43X40	Ø43	40	225	0,11
RCAH45-43X50	Ø43	50	300	0,12
RCAH45-43X60	Ø43	60	375	0,13
RCAH45-45X25	Ø45	25	160	0,11
RCAH45-45X30	Ø45	30	200	0,12
RCAH45-45X40	Ø45	40	250	0,13
RCAH45-50X20	Ø50	20	150	0,12
RCAH45-50X30	Ø50	30	200	0,13
RCAH45-50X40	Ø50	40	275	0,14
RCAH45-50X50	Ø50	50	350	0,15
RCAH45-55X30	Ø55	30	225	0,14
RCAH45-55X60	Ø56	60	450	0,20
RCAH45-60X30	Ø60	30	250	0,15
RCAH45-80X40	Ø80	40	400	0,18

HERMETIC CLAMPS FOR NOZZLES IN STAINLESS STEEL SHEATH, MODELS RCAH30-I

Code	Dimensions in mm		Watts	Weight in kg
	Øinside	Wide		
RCAH30-24X34-I	Ø24	34	125	0,12
RCAH30-30X25-I	Ø30	25	120	0,11
RCAH30-30X30-I	Ø30	30	150	0,11
RCAH30-32X30-I	Ø32	30	175	0,13
RCAH30-32X38-I	Ø32	38	200	0,13
RCAH30-35X25-I	Ø35	25	150	0,12
RCAH30-35X30-I	Ø35	30	180	0,11
RCAH30-35X38-I	Ø35	38	225	0,12
RCAH30-35X48-I	Ø35	48	300	0,13
RCAH30-40X30-I	Ø40	30	230	0,14
RCAH30-40X38-I	Ø40	38	275	0,14
RCAH30-40X42-I	Ø40	42	325	0,11
RCAH30-45X30-I	Ø45	30	240	0,12
RCAH30-45X48-I	Ø45	48	400	0,13
RCAH30-50X30-I	Ø50	30	250	0,14
RCAH30-50X55-I	Ø50	55	500	0,15
RCAH30-55X25-I	Ø55	25	250	0,16
RCAH30-55X38-I	Ø55	38	375	0,12
RCAH30-55X48-I	Ø55	48	500	0,13
RCAH30-60X20-I	Ø60	20	210	0,14
RCAH30-60X38-I	Ø60	38	425	0,12
RCAH30-65X25-I	Ø65	25	280	0,13
RCAH30-65X42-I	Ø65	42	500	0,14
RCAH30-70X30-I	Ø70	30	350	0,13
RCAH30-70X38-I	Ø70	38	550	0,14
RCAH30-70X48-I	Ø70	48	600	0,15
RCAH30-80X30-I	Ø80	30	435	0,16
RCAH30-80X48-I	Ø80	48	675	0,15
RCAH30-90X30-I	Ø90	30	475	0,21
RCAH30-90X42-I	Ø90	42	800	0,16
RCAH30-100X30-I	Ø100	30	500	0,19

Connection cables with mesh protection (2 wires + ground wire) of 400 mm long.

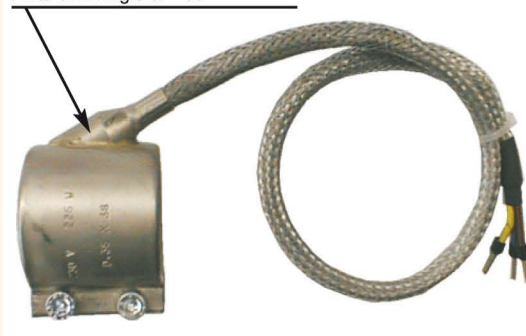
Axial exit: Angle  $\alpha = 45^\circ$



Maximum working temperature: 375 °C

Connection cables with mesh protection (2 wires + ground wire) of 400 mm long.

Axial exit: Angle  $\alpha = 30^\circ$



Maximum working temperature: 450 °C