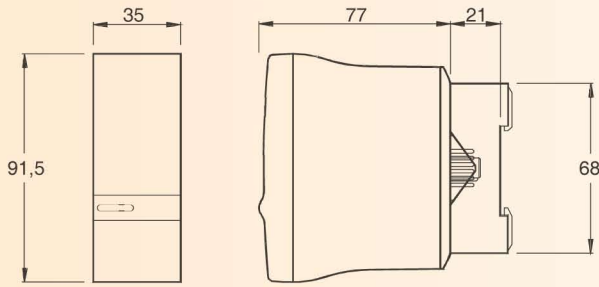
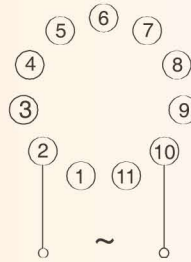


Relay for level control in liquid, solid and granulate conductors, model PNSA

Dimensions



Power supply input



Technical data

Ac supply. Mode A

| | | |
|--------------|------------|----------|
| 024 - 24Vca | 50 / 60 Hz | +10 -15% |
| 110 - 110Vca | 50 / 60 Hz | +10 -15% |
| 230 - 230Vca | 50 / 60 Hz | +10 -15% |
| 400 - 400Vca | 50 / 60 Hz | +10 -15% |
| 440 - 440Vca | 50 / 60 Hz | +10 -15% |

The transformer provides galvanic insulation between the supply voltage and the electronic circuit.
Other voltages available on demand

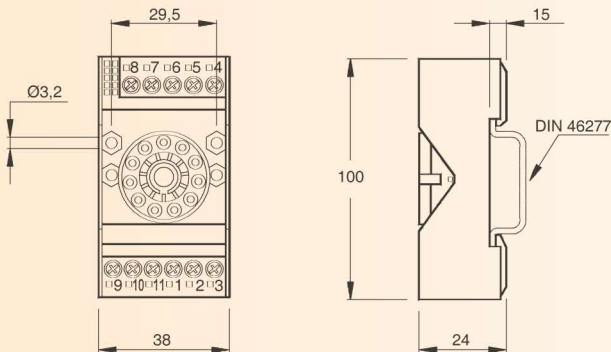
General characteristics

| | |
|--|--|
| OPERATING PRINCIPLE CONNECTION | <p>Control of maximum and minimum level The relay is activated when the liquid level reaches the maximum electrode level (5). It is deactivated when the liquid level drops below the minimum electrode level (6).</p> |
| | |
| POWER SUPPLY | AC, Mode A |
| SENSITIVITY | Adjustable from 10 to 100 KΩ |
| VOLTAGE IN SENSOR | 24 Vac |
| CURRENT IN SENSOR | 4 mA (In shortcircuit) |
| CHARACTERISTICS OF THE SENSOR CABLE | <p>Unshielded cables of section 1 to 2.5 mm² with good insulation are usually used. In some installations, when the power and probe lines run parallel in the same tube over long distances, it is recommendable to use shielded cable. The resistance between cables and mass should be at least 200KΩ. The shield is connected to terminal 7, which corresponds to earth. Connection to mass: If the tank is not conductive, an additional probe should be installed for connection of mass, terminal 7.</p> |
| LENGTH OF SENSOR CABLE | Unspecified |
| ACCESSORIES | Electrode models: NS, NR 43650, NRA 43650, NR, NRA, NT, NRP, NP, NRT2. Overvoltage protector PS-3 Separators NR.SEP Nuts NR.TUE/P 1 1/2". |

Complements

Undecal base for relays of level control, model S3-B

Dimensions



General characteristics

- **Undecal base:** 11 poles.
- **Borehole for screw:** M3
- **Box material and colour:** Noryl SE 100, light grey
- **Assembly:** DIN 46277 rail
- **Spring material:** Silver-plated brass
- **Accessory:** RB, relay-base coding ring