

The infrared has the property of passing through air without being absorbed and without transforming into heat until inciding with the surface of the bodies exposed to the radiation. That is why screens with infrared emissions are often the ideal solution for heating veri high premises or else providing heat to enclosed areas.

Usual applications

- Heating of interior spaces
- Areas requiring localized spot heating (workplaces, changing-rooms, etc)
- Veri high premises.
- Industrial drying up to ambient temperature of maximum 60 °C.
- Heat curtains for doors
- Generally, whenever infrared radiation is recommendable.

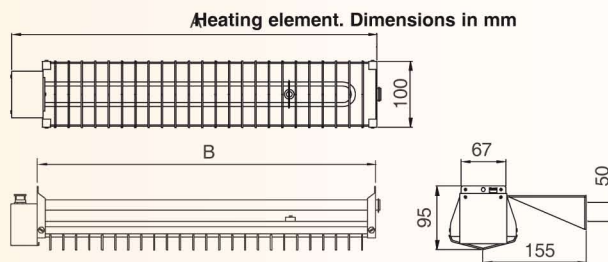
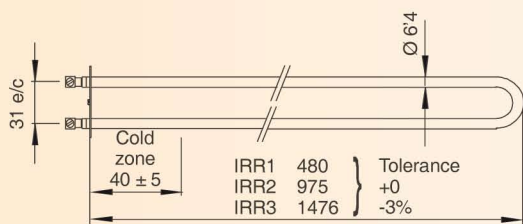
PANELS WITH INFRARED EMITTERS FOR HIGH LEVEL FIXED INSTALLATION, MODELS IRC

General characteristics

- Class I electrical device with minimum installation height at 1'8 m (high level installation)
- Zinc-plated steel chassis
- Polished aluminium reflector to ensure good diffusion of heating
- Chrome-plated steel protective grill to prevent accidental contact with the heating element.
- Metallic stuffing box.
- Heating element in stainless steel tube AISI 321 or 304L, thermal insulation with steel chassis.
- Additional support in zinc plated steel, ref IRS.
- End bores for ceiling attachment.
- Standard voltage ~230 V



Code	Volts	Watts	Dimensions in mm		Spectral field wavelength	Santi Escoin's constructive thermic class	Weight in Kg	
			A	B				
IRC1	~230	1000	545	500	1,6 to 8 µm	-	1,4	
IRC2	~230	2000	1045	1000	1,6 to 8 µm	-	2,3	
IRC3	~230	3000	1545	1500	1,6 to 8 µm	-	3,3	
IRR1	~230	1000	Heating elements spare parts			T-700-T	0,16	
IRR2	~230	2000				T-700-T	0,29	
IRR3	~230	3000				T-700-T		
IRS	Adjustable mobile support composed of 2 pieces, 1 per model							



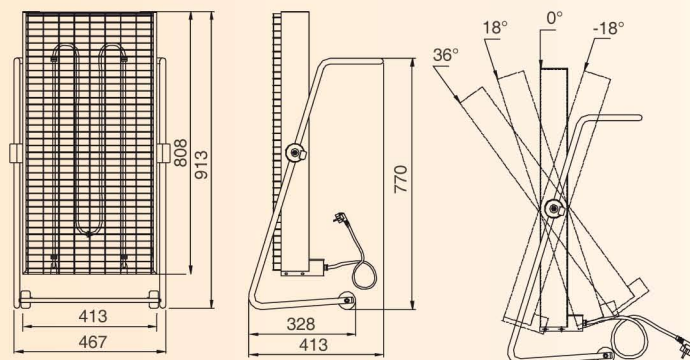
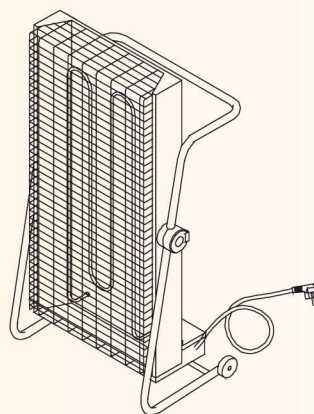
PANELS WITH INFRARED EMITTERS, MODEL IM

General characteristics

- Polished aluminium reflector to ensure good diffusion of heating
- Chrome-plated steel protective grill to prevent accidental contact with the heating element.
- Class I electrical device
- Degree protection against moisture IP44
- Connection cable H05RN 3x1'5 with 1500 mm long, with 16A connector Schuko type
- Safety thermostat with manual reset
- You can orientate the emitter with four fixed positions by means of a simple action to the side handle (see figure)
- Standard voltage ~230 V

Code	Volts	Watts	Spectral field wavelength	Weight in Kg
IM3,6	~230	3600	1,5 a 7 µm	14,6

The IM3'6 model includes the transportable trolley



Heating element spare part

Code	Description	Volts	Watts	Weight in Kg
IMR3,6	Heating elements spare parts	~230	3600	0,68

