

GROUP 13 - Level controllers

13.1 - Magnetic level switches

IMN PVC

Models as per catalogue: NTC - 9611

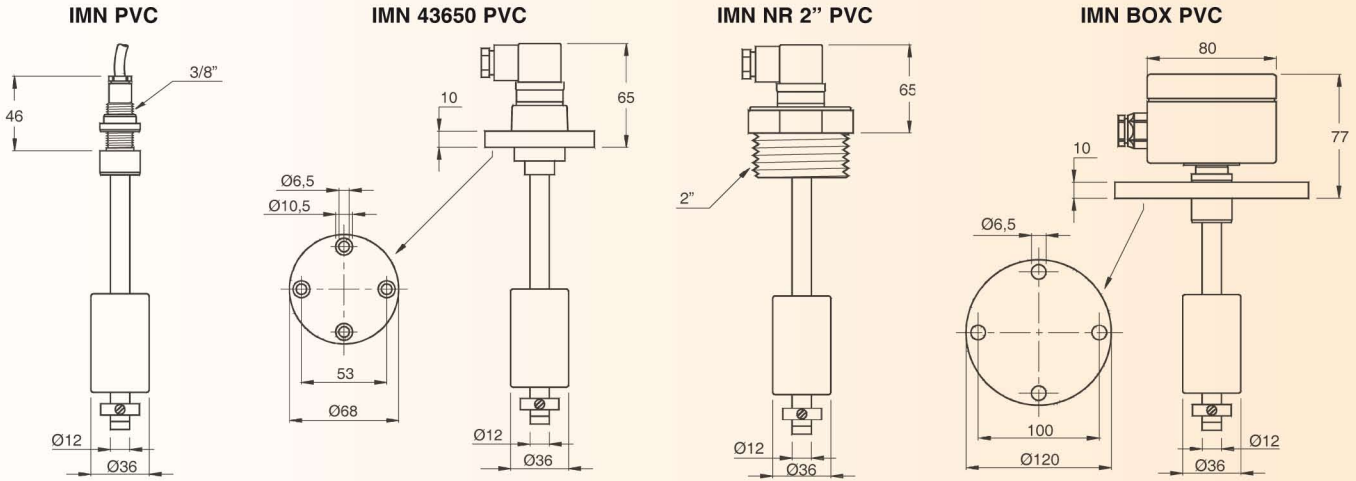


Table of chemical resistance to PVC and Polypropilene		
Product	Temperature °C	
	20	60
Bromic acid 50%	+	+
Hydrochloric acid	+	+
Hydrofluoric acid 48%	+	•
Oxalic acid 50%	+	•
Perchloric acid 10%	+	
Sulphuric acid 10%	+	+
Sulphuric acid 80%	+	+
Sulphuric acid 98%	+	•
Ammonic fluoride 20%	+	•
Calcic nitrate 50%	+	+
Photographics developers	+	

SIGNALS		
Unaltered	+	Do not resist
		•

MAGNETIC LEVEL SWITCHES. MODELS AND PARTICULAR CHARACTERISTICS. SPECIAL MANUFACTURE

	IMN PVC	IMN 43650 PVC	IMN NR 2" PVC	IMN BOX PVC
ATTACHMENT	3/8" BSP PVC connector	PVC Flange	2" BSP PVC threaded plug	PVC Flange
FLOAT	Type FCP - 2, Ø36 x 61 mm, Polypropilene			
CONNECTION	Cable: PVC 90°C Long. 1 m	DIN 43650 Connector		ABS Connection box
Nº OF CONTACTS	Maximum 4 contacts	Maximum 3 contacts		Maximum 4 contacts
CONTACT TYPE	(NO) 80WVA/250Vac - 2A	(NC) 60WVA/220Vac - 2A	(NO/NC) 60WVA/220Vca - 2A	

Common characteristics to all models of special manufacture

- **Guide tube:** Ø12 mm PVC
- **Length:** Min 100 mm - Max 3500 mm
- **Distance between contacts:** > 40 mm
- **Temperature:** -30 °C +60 °C
- **Nominal pressure:** 3 kg/cm³
- **Minimum density:** e>0,45 g/cm³
- **Assembly position:** Vertical ± 30°
- **Protection class:** IP65

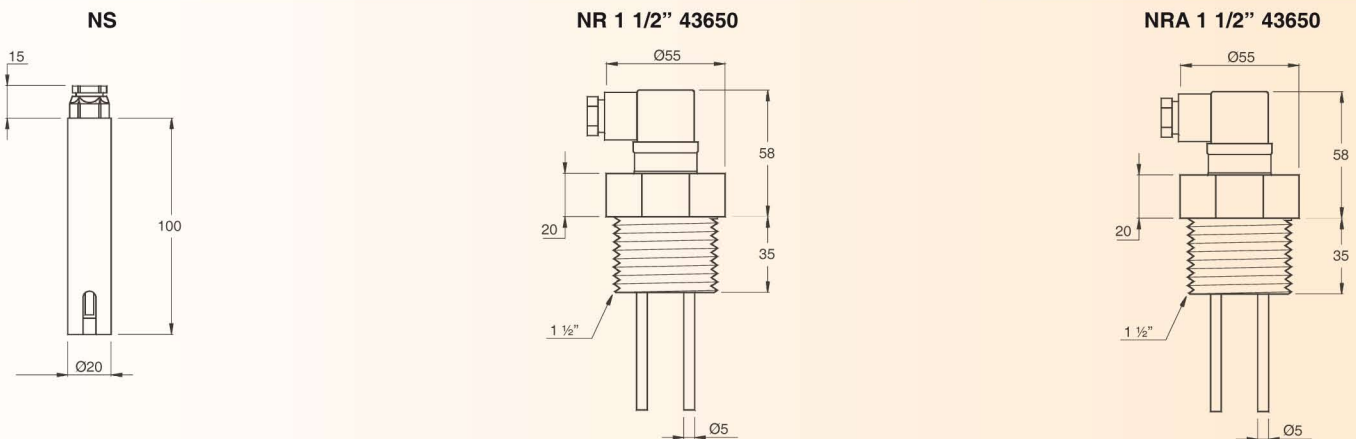
NOTE: The data contained in the tables are understood to be without commitment and can be altered by factors like pressure, concentration etc.

GROUP 13 - Level controllers

13.2 - Level control: resistive probes

NS / NR / NRA

Models as per catalogue: NTC - 9612



LEVEL CONTROLLERS FOR CONDUCTOR LIQUIDS, SOLIDS AND GRANULATES. GENERAL CHARACTERISTICS. STANDARD MODELS

	NS	NR 1 1/2" 43650	NRA 1 1/2" 43650
BODY MATERIAL	Grey Polypropilene	Red PVC	White Teflon
ELECTRODE	Stainless Steel AISI 316	Stainless Steel AISI 316 Ø5 mm	
Nº ELECTRODES	1	From 1 to 4 electrodes	
ELECTRODE LENGTH	120 mm	1000 mm. Special lengths > 30 mm < 5000 mm	
ATTACHMENT	By cable	1 1/2" Connector	
CONNECTION	Screw terminal	DIN 43650 Connector	
MAXIMUM TEMPERATURE		+ 70°C	
PRESSURE		10 K/cm ² at +60°C	
ELECTRODE PROTECTION	---	Optional with PVC Ref.: NRI 1 1/2	Optional with PTFE Ref.: NRAI 1 1/2

