

Table of chemical resistance to Stainless Steel AISI 316 (*)

Product	Temperature °C		
	20	60	100
Mineral oils	+	+	+
Acetic acid 10-50%	+	+	+
Boric acid	+	+	+
Chromic acid 10%	+	+	•
Nitric acid 0-50%	+	+	+
Nitric acid 95-98%	+		•
Hydrogen peroxide 60%	+	+	+
Ammoniac liquid	+	+	+
Benzene	+	+	+
Glicol	+	+	+
Trichloroethylene	+		

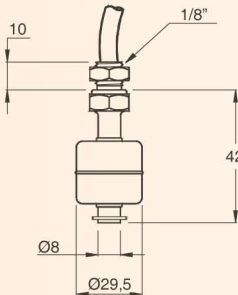
SIGNALS

Unaltered	+	Do not resist	•
-----------	---	---------------	---

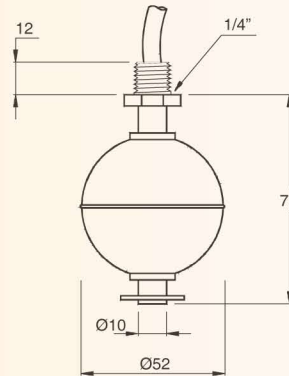
NOTE: The data contained in the tables are understood to be without commitment and can be altered by factors like pressure, concentration etc.



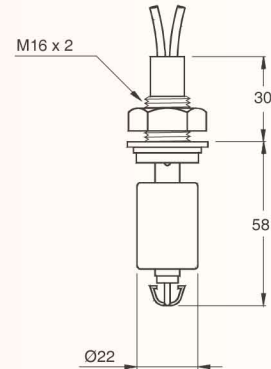
IMN 40 INOX



IMN 70 INOX



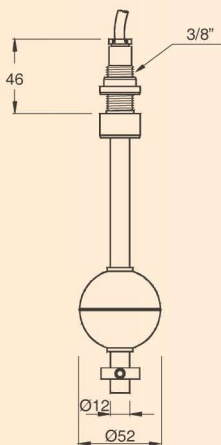
IMN 50 NY V IMN 50 PP V



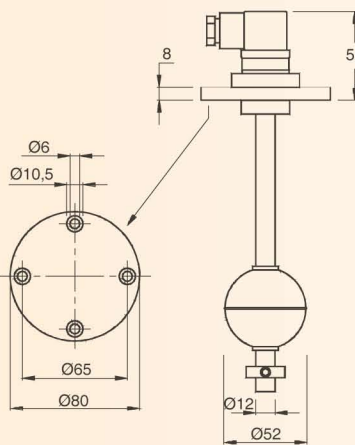
MAGNETIC LEVEL SWITCHES. GENERAL CHARACTERISTICS. STANDARD MODELS

	IMN 40 INOX	IMN 70 INOX	IMN 50 NY V	IMN 50 PP V
ATTACHMENT	1/8" BSP connector	1/4" BSP connector	M 16 x 2 connector	
BODY MATERIAL	Stainless steel AISI 316			[NY] Nylon 6,6 [PP] Polypropilene
FLOAT MATERIAL	Stainless steel AISI 316			[NY] Nylon 6,6 [PP] Polypropilene
CONNECTION	Silicone cable 130 °C - PVC 90 °C 1 m Long		PVC Cable 0,5 m long	
CONTACT TYPE	NO or NC according to float position			
MAXIMUM CUTOFF CAPACITY	40 W/VA	80 W/VA	15 W/VA	
MAXIMUM CUTOFF VOLTAGE	220 Vac	250 Vac	250 Vac	
MAXIMUM CURRENT	3A	2A	1A	
INSULATION RESISTANCE	10 ¹¹ Ohms			
TEMPERATURE	-40 °C +130 °C		[NY] -30 °C +130 °C [PP] -30 °C +60 °C	
MINIMUM DENSITY	e > 0,8 g/cm ³	e > 0,6 g/cm ³	[NY] e > 0,9 g/cm ³ [PP] e > 0,7 g/cm ³	
ASSEMBLY POSITION	Vertical ± 15°	Vertical ± 30°	Vertical ± 15°	
PROTECTION CLASS	IP-65			

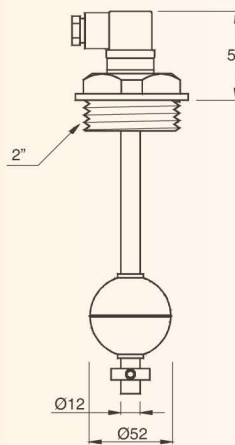
IMN INOX



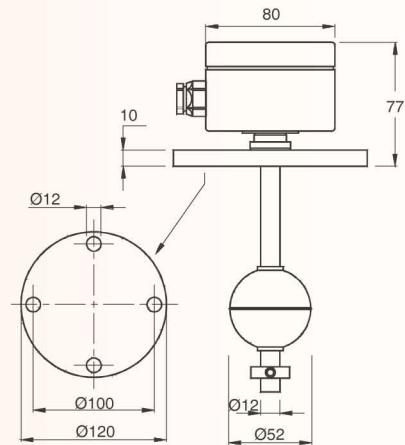
IMN 43650 INOX



IMN NR 2" INOX



IMN BOX INOX



MAGNETIC LEVEL SWITCHES. MODELS AND PARTICULAR CHARACTERISTICS. SPECIAL MANUFACTURE

	IMN INOX	IMN 43650 INOX	IMN NR 2" INOX	IMN BOX INOX
ATTACHMENT	3/8" BSP S.S. AISI 316 connector	Stainless Steel AISI 316 flange	2" BSP S.S. AISI 316 threaded plug	PVC Flange
FLOAT	Type FEI - 1 Ø 52 mm AISI 316		Optional, types FCI-2, FCI-3, FEI-2	
CONNECTION	Cable: Silicone 130°C PVC 90°C - 1 m Long	DIN 43650 Connector		Aluminium connection box
Nº OF CONTACTS	Maximum 4 contacts		Maximum 2 contacts	
CONTACT TYPE	(NA) 80WVA/250Vac - 2A	(NC) 60WVA/220Vac - 2A		(NA/NC) 60WVA/220Vac - 2A

Common characteristics to all models of special manufacture