

**HEATING ELEMENTS FOR ELECTRIC BOILERS**

**General characteristics**

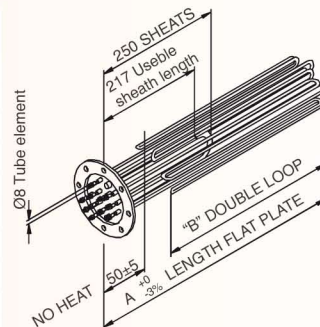
- Tubular elements of nickel-plate copper, insulated with electromelted and lamination-compressed magnesium oxide.
- Double-drawn plates of stainless steel plate or copper plated steel with coating of polyurethane acrylic resin primer. Also we can supply with brass or stainless steel threaded plugs or other type of plates in addition to those standardized by **Santi Escoin**
- Silver alloy welds.
- M4 stainless terminals.
- All models with M5 terminal welded to plate for earth connection.
- Two sheaths of 217 mm usable length with Øint 8,5 mm for bulb thermostats or temperature sensors.
- The bunch of elements passes through Ø70 mm.
- The heating element is given a general finish of copper or nickel plating. The respective bridges, washers and nuts are supplied with each heating element.
- For specially hard water facilities, acid or alkaline they can be made in stainless steel tube AISI 321, AISI 316L or Incoloy®-825.

**Usual applications**

- In all facilities in which water is heated in a closed circuit to a maximum of 90 °C with a built-in acceleration pump.
- Electric boilers, auxiliary circuits for tap water, auxiliary circuits for bathrooms, etc.



| Code      | Watts | W per element | W/cm² | Nº elements | Dimensions in mm |     | Shape | Santi Escoin's constructive thermic class | Weight in Kg |
|-----------|-------|---------------|-------|-------------|------------------|-----|-------|---|--------------|
|           |       |               |       |             | A                | B   |       |   |              |
| CALEB4,5  | 4500  | 750           | 11    | 6           | 200              | -   | U     | T-175-E                                   | 0,89         |
| CALEB6    | 6000  | 1000          | 11    | 6           | 250              | -   | U     | T-175-E                                   | 1,0          |
| CALEB7,5  | 7500  | 1250          | 10    | 6           | 305              | -   | U     | T-175-E                                   | 1,1          |
| CALEB9    | 9000  | 1500          | 10    | 6           | 360              | -   | U     | T-175-E                                   | 1,3          |
| CALEB10,5 | 10500 | 1750          | 9,5   | 6           | 320              | 115 | VD    | T-175-E                                   | 1,5          |
| CALEB12   | 12000 | 2000          | 9,4   | 6           | 375              | 115 | VD    | T-175-E                                   | 1,7          |
| CALEB13,5 | 13500 | 2250          | 9,4   | 6           | 375              | 170 | VD    | T-175-E                                   | 1,8          |
| CALEB15   | 15000 | 2500          | 9,3   | 6           | 375              | 230 | VD    | T-175-E                                   | 1,9          |
| CALEB18   | 18000 | 3000          | 9,4   | 6           | 375              | 335 | VD    | T-175-E                                   | 2,2          |
| CALEB21   | 21000 | 2500          | 11    | 6           | 375              | 335 | VD    | T-175-E                                   | 2,2          |
| * CALEB24 | 24000 | 4000          | 12    | 6           | 375              | 335 | VD    | T-175-E                                   | 2,2          |

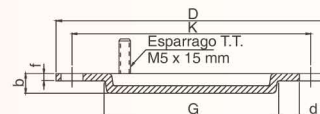


Standard Voltage 3~230 V Δ, 3~400 V Δ

(\*) **Attention:** DO NOT USE THESE MODELS UNLESS THERE IS A LARGE FLOW OF LIQUID. CONSULT OUR TECHNICAL-COMMERCIAL DEPARTMENT.

**STANDARD PLATE FOR ELECTRIC BOILER HEATING ELEMENTS**

| Model    | Code      | Dimensions in mm. |    |    |   |   |     | Nº of boreholes coupling | Material        |
|----------|-----------|-------------------|----|----|---|---|-----|--------------------------|-----------------|
|          |           | D                 | K  | G  | d | b | f   |                          |                 |
| P-EB-110 | 111033230 | 110               | 97 | 71 | 9 | 7 | 2,5 | 8                        | Stainless Steel |



**GASKETS FOR ELECTRIC BOILER HEATING ELEMENTS**

| Code      | Description | Material              |
|-----------|-------------|-----------------------|
| 107058000 | ACL-CALD    | BASIC (asbestos free) |

**7V / U**

Models as per catalogue: 733

**GROUP 1 - Immersion heaters, drum heaters and accessories**

1.15 - With connectors

**SEVEN LOOP U-SHAPED HEATING ELEMENT WITH COUPLING CONNECTORS**

**General characteristics**

- Tubular elements of nickel-plate copper, insulated with electromelted and lamination-compressed magnesium oxide
- M12 brass connectors, welded to the tube with silver alloy.
- Standard Voltage ~230 V

| Code   | L in mm | Threas | Watts | W/cm² | Tube material | Santi Escoin's construct. thermic class | Weight in Kg |
|--------|---------|--------|-------|-------|---------------|---|--------------|
| 7V001C | 170     | M12    | 3.000 | 5,9   | Cobre         | T-175-E                                 | 0,50         |



**U-SHAPED HEATING ELEMENTS WITH COUPLING CONNECTORS**

**General characteristics**

- Tubular elements of nickel-plate copper or stainless steel AISI 304L or AISI 321 Ø8 mm, insulated with electromelted and lamination-compressed magnesium oxide
- M13 x 1'25 brass connectors, welded to the tube with silver alloy.
- Standard Voltage ~230 V

| Code  | L in mm | Thread | Watts | W/cm² | Tube material   | Santi Escoin's construct. thermic class | Weight in Kg |
|-------|---------|--------|-------|-------|-----------------|---|--------------|
| U001  | 180     | M13    | 500   | 8,3   | Stainless Steel | T-600-E                                 | 0,14         |
| U001C | 180     | M13    | 500   | 8,3   | Nick. cooper.   | T-175-E                                 | 0,14         |
| U002  | 260     | M13    | 750   | 7,5   | Stainless Steel | T-600-E                                 | 0,17         |
| U002C | 260     | M13    | 750   | 7,5   | Nick. cooper.   | 1-175-E                                 | 0,17         |
| U003  | 350     | M13    | 1000  | 7     | Stainless Steel | T-600-E                                 | 0,21         |
| U003C | 350     | M13    | 1000  | 7     | Nick. cooper.   | T-175-E                                 | 0,21         |
| U004  | 520     | M13    | 1500  | 6,6   | Stainless Steel | T-600-E                                 | 0,28         |
| U004C | 520     | M13    | 1500  | 6,6   | Nick. cooper.   | T-175-E                                 | 0,28         |
| U005  | 680     | M13    | 2000  | 6,5   | Stainless Steel | T-600-E                                 | 0,35         |
| U005C | 680     | M13    | 2000  | 6,5   | Nick. cooper.   | T-175-E                                 | 0,35         |

