

General characteristics

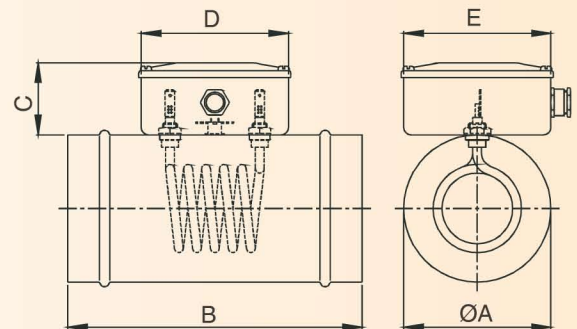
- Class I electrical heater
- Steel painted connections box with degree protection against moisture IP44
- Cylindrical pipe galvanised steel sheet. On order, in stainless steel
- PG for power supply and control cables.
- From 1 to 6 tubular elements in stainless steel tube AISI 321 or AISI 304L of Ø 6.4 mm for the single-phase models and Ø8 mm for the three-phase models.
- Built-in safety thermostat of 85°C. On order we can supply a safety thermostat of 110°C.
- 1 or 2 power stages according to models, in both single-phase and three-phase groups.
- Heating elements in unitary voltage ~230V in order to make the different connection options easier.
- High resistance to impacts and splashes of water.



Mono-phase models. BMC

Code	Watts		Dimensions in mm					Weight in Kg
	Min.	Max.	ØA	B	C	D	E	
BMC80-0,5		500	80	200	49	105	105	0,70
BMC100-0,5		500	100	200	49	105	105	0,82
BMC100-0,8		800	100	200	49	105	105	0,82
BMC125-0,75		750	125	250	49	105	105	0,97
BM2C125-1	500	1000	125	300	83	206	156	1,8
BM2C160-1,2	600	1200	160	300	83	206	156	2,1
BMC200-1,7		1700	200	250	49	105	105	1,4
BM2C200-2,25	1125	2250	200	300	83	206	156	2,4

- Standard voltage: ~230 V

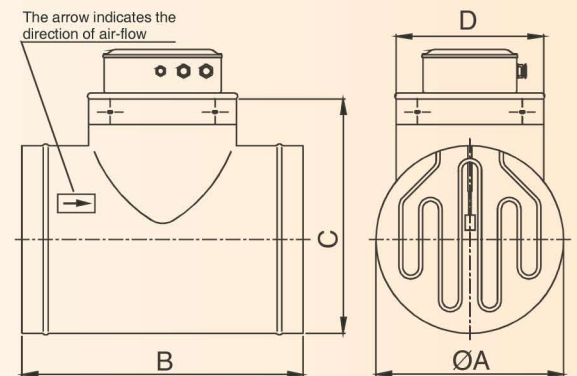


Three-phase models. BTT

Set of battery of heating elements + "T" of nominal Ø

Code	Watts		Nº elements	Dimensions in mm				Weight in Kg
	Min.	Max.		ØA	B	C	D	
BTT160-1,5	250	1500	6	160	340	260	160	3,5
BTT200-3	500	3000	6	200	390	300	200	5,1
BTT250-4,5	750	4500	6	250	440	350	250	6,1
BTT315-6	2000	6000	3	315	490	415	315	6,7
BTT315-9	1500	9000	6	315	490	415	315	7,6
BTT355-9	1500	9000	6	355	490	455	355	7,9
BTT355-12	4000	12000	3	355	490	455	355	8,2
BTT400-15	2500	15000	6	400	600	500	315	9,8

- Standard voltage 3~230 V Δ, 3~400 V Δ
- By a simple change in the connection box, we can obtain a wide range of power in each model, from the minimum to a maximum indicated



Spare parts for the three-phase models BTT

Batteries without "T"

Code	Watts		Nº elements	For ØA in mm
	Maximum	Minimum		
BTCC1,5	1500	250	6	160
BTCC3	3000	500	6	200
BTCC4,5	4500	450	6	250
BTCC6	6000	2000	3	315
BTCC9	9000	1500	6	315
BTCC9A	9000	1500	6	355
BTCC12	12000	4000	3	355
BTCC15	15000	2500	6	400

Unit elements

Code	Watts	W/cm²	For ØA in mm	Santi Escoin's constructive thermic class
130540003	250	3	160	T-600-S
130540002	500	3	200	T-600-S
130540001	750	3	250	T-600-S
130540004	2000	3	315	T-600-S
130540000	1500	4	315 355	T-600-S
130540005	4000	4	355	T-600-S
130540006	2500	5	400	T-600-S

"T" of nominal Ø

Code	ØA in mm
130540104	160
130540103	200
130540102	250
130540101	315
130540100	355
130540105	400