

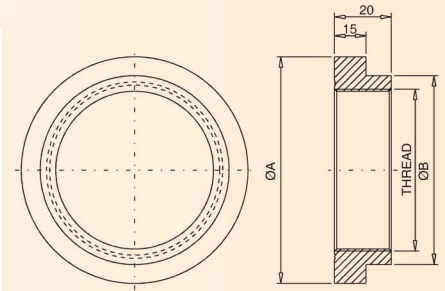
GROUP 1 - Immersion heaters and accessories

- 1.5 - Accessories: Weldable flanges
- 1.6 - Accessories: Nut
- 1.7 - Accessories: Threaded adapters
- 1.8 - Accessories: Gaskets

WELDABLE FLANGES / NUTS /
ADAPTERS / GASKETS

WELDABLE FLANGES

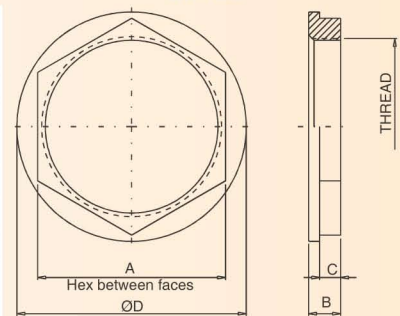
Code	Dimensions in mm		Thread	Material	Weight in Kg
	ØA	ØB			
106073000	70	60	M45	Inox. 304	0,35
106071000	108	90	M77	Inox. 304	0,60
106077000	65	54	1 1/4"	Inox. 304	0,27
106075000	70	60	1 1/2"	Inox. 304	0,28
106081000	93	75	2"	Inox. 304	0,54
106079000	108	90	2 1/2"	Inox. 304	,064
106072002	70	60	M45	Acero	0,31
106070002	108	90	M77	Acero	0,57
106076002	65	54	1 1/4"	Acero	0,26
106074002	70	60	1 1/2"	Acero	0,27
106080002	93	75	2"	Acero	0,53
106078002	108	90	2 1/2"	Acero	0,60



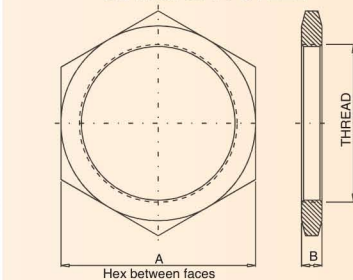
NUTS

Code	Dimensions in mm				Thread	Material	Weight in Kg
	A	B	C	Ø D			
106065000	60	7,5	-	-	M45	SS. 304	0,15
106083000	95	10	-	-	M77	SS. 304	0,27
106096000	55	7,5	-	-	1 1/4"	SS. 304	0,11
106068000	60	7,5	-	-	1 1/2"	SS. 304	0,13
106102000	85	10	-	-	2"	SS. 304	0,20
106099000	95	10	-	-	2 1/2"	SS. 304	0,28
106066002	60	7,5	-	-	M45	Steel	0,12
106084002	95	10	-	-	M77	Steel	0,24
106097000	55	7,5	-	-	1 1/4"	Steel	0,08
106069002	60	7,5	-	-	1 1/2"	Steel	0,12
106103000	85	10	-	-	2"	Steel	0,26
106100002	95	10	-	-	2 1/2"	Steel	0,24
106005000	28,7	7,3	5	35,4	3/4"	Brass	0,02
106007000	35,8	7,8	5	45,1	1"	Brass	0,02
106008000	44,8	8,2	5	55,9	1 1/4"	Brass	0,03
106064000	60	7,5	-	-	M45	Brass	0,08
106009000	60	7,5	-	-	1 1/2"	Brass	0,05
106010000	65	9	6	86,6	2"	Brass	0,12
106011000	90,8	11,5	9	112,2	2 1/2"	Brass	0,25

BRASS

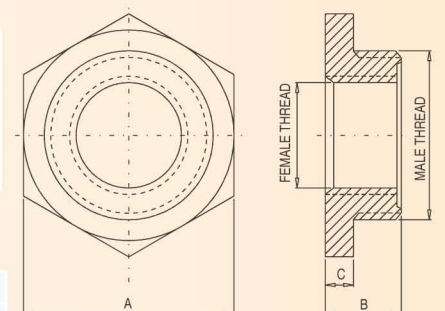


SS AISI 304 / STEEL



THREADED BRASS ADAPTERS

Code	Dimensions in mm			BSP Thread		Weight in Kg
	A	B	C	Male	Female	
106090000	57	25	10	R 1 1/2"	R 1 1/4"	0,12
106091000	75	27	10	R 2"	R 1 1/4"	0,43
106093000	88	28	10	R 2 1/2"	R 2"	0,51



GASKETS

Code	Thread for	Material
107058000	ACL-CAL (Electric boiler flange P-EB-110)	Basic
107031000	1 1/4"	Rubber
107042000	1 1/2"	Basic
107072000	2"	Basic
107032000	2 1/2" and M77x2	Rubber
107050000	M45x2	Basic
107075000		Rubber
107076000		Basic
107069000		Rubber
107070000		Basic

BASIC: basic composition rubber NBR + Fibers of aramide (asbestos: free)

Santiago Escoin Homs