

## General characteristics

- Heating of air to:

450 °C

**TMAX and TMAXL models**

600 °C

**Made to order**

NOTE: The above temperatures refer to recirculated air systems with thermal insulation. Note that the final heating temperature may vary in accordance with the system's operating conditions (recirculation of air or not, the material being heated, losses of heat, etc). Our technical department is at your service to assist in the selection of the most appropriate battery for any given situation.

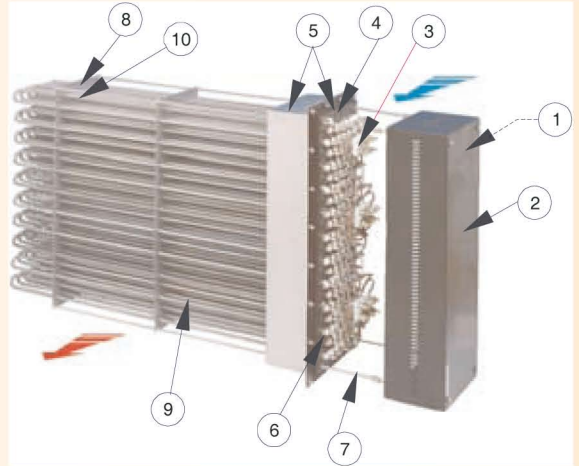
- Minimum air speed for all models: **2 m/sec**
- Easily interchangeable heating elements
- Other wattage, voltages, and dimensions are available on request.
- Manufactured in compliance with the EN 60335-1 standard.
- Triphase power supply 3 ~ 400 V Δ with earth connection (\*).

(\* ) The TMAX and TMAXL batteries are supplied connected at the stated voltage. Optionally, they may be supplied connected for an operating voltage of 3 ~ 230 V Δ. If this is required, please state so in your order.

## Technical characteristics of construction

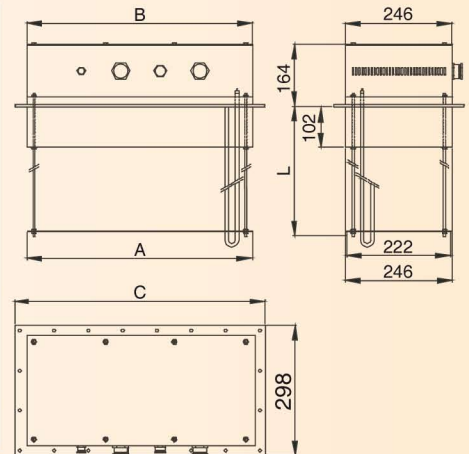
- From one to three stuffing boxes per heat stage, plus a stuffing box for control components.
- Steel connection cover, with oven treated paint resistant to temperatures of up to 250 °C without deterioration.
- From one to three steatite connection boards, one per stage. Nickel-plated internal connection bridges.
- Bases for securing heating elements with tightening screws.
- Mineral fibre insulation (in base box and drawer).
- Steel base box for heating elements, with oven treated paint resistant to temperatures of up to 250 °C without deterioration, and stainless steel inner box.
- Stainless steel bars for securing final guide base and tightening of cover.
- Stainless steel final guide for supporting the heating elements. In TMAXL models additional middle support.
- Tubular elements in Ø10 mm AISI 321 or 304L. stainless steel tube, in alignments of 6 heating elements at ~230 V with wattage 750 W (TMAX models) or 1500 W (TMAXL models) each. In stock for TMAX and TMAXL models with Ø10mm Incoloy®-800 stainless steel heating elements.
- Optional: thermocouple probe Ø 6 Ni Cr / Ni Al (K type) with 3000 mm long compensating cables.

**Option all in stainless steel:** If you require, we can supply the TMAX and TMAXL models with connection cover (2), big box and base box for heating elements (5) all in stainless steel.



## DIMENSIONS

### MODELS TMAX and TMAXL



MODELS TMAX	Code	Power kW	Nº elements	Nº stages	Dimensions in mm				Weight in Kg
					A	B	C	L	
Models available with elements in stainless steel tube AISI 321 Ø10 mm or Incoloy®-800 Ø10 mm	TMAX9	9	12	1 de 9 KW	172	172	222	542	12,4
	TMAX13,5	13,5	18	1 de 4,5 KW 1 de 9 KW	232	232	282	542	16,4
	TMAX18	18	24	2 de 9 KW	292	292	343	542	20,4
	TMAX22,5	22,5	30	1 de 4,5 KW 2 de 9 KW	352	352	404	542	24,3
	TMAX27	27	36	3 de 9 KW	412	412	464	542	28,3
	TMAX31,5	31,5	42	2 de 9 KW 1 de 13,5 KW	472	472	524	542	32,3
	TMAX36	36	48	1 de 9 KW 2 de 13,5 KW	532	532	584	542	36,3
	TMAX40,5	40,5	54	1 de 9 KW 1 de 13,5 KW 1 de 18 KW	592	592	644	542	40,2
	TMAX45	45	60	1 de 9 KW 2 de 18 KW	652	652	704	542	44,2
MODELS TMAXL	Code	Power kW	Nº elements	Nº stages	Dimensions in mm				Weight in Kg
Models available with elements in stainless steel tube AISI 321 Ø10 mm or Incoloy®-800 Ø10 mm	TMAXL18	18	12	1 de 18 KW	172	172	222	962	16,7
	TMAXL27	27	18	1 de 9 KW 1 de 18 KW	232	232	282	962	22,8
	TMAXL36	36	24	2 de 18 KW	292	292	343	962	28,9
	TMAXL45	45	30	1 de 9 KW 2 de 18 KW	352	352	404	962	35,0
	TMAXL54	54	36	3 de 18 KW	412	412	464	962	41,1
	TMAXL63	63	42	2 de 18 KW 1 de 27 KW	472	472	524	962	47,2
	TMAXL72	72	48	1 de 18 KW 2 de 27 KW	532	532	584	962	53,3
	TMAXL81	81	54	1 de 18 KW 1 de 27 KW 1 de 36 KW	592	592	644	962	59,4
	TMAXL90	90	60	1 de 18 KW 2 de 36 KW	652	652	704	962	65,5

**Note:** Batteries TMAX and TMAXL incorporates a thermocouple type "K" with aerial male connector and female bayonet. Although for some applications they aren't necessary, Electricfor recommends to install always minimum a sobretemperature sensor (sensor-regulator) and a flow switch.

## Sensor temperature type "K" for TMAX and TMAXL

Code	Desacription	Dimensions in mm
517381000	Type "K" sensor with aerial male connector and female bayonet connector. For TMAX models	Ø6 x 575
517382000	Type "K" sensor with aerial male connector and female bayonet connector. For TMAXL models	Ø6 x 975