

**General characteristics**

- Heating of air to:

250 °C

TFAN models

600 °C

Made to order

NOTE: The above temperatures refer to recirculated air systems with thermal insulation. Note that the final heating temperature may vary in accordance with the system's operating conditions (recirculation of air or not, the material being heated, losses of heat, etc). Our technical department is at your service to assist in the selection of the most appropriate battery for any given situation.

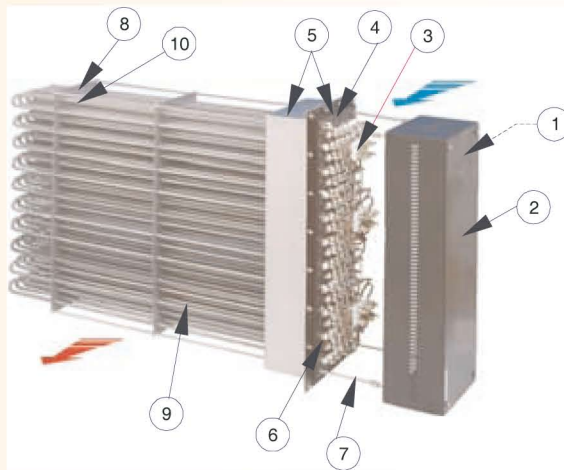
- Minimum air speed for all models: **2 m/sec**
- Easily interchangeable heating elements
- Other wattage, voltages, and dimensions are available on request.
- Manufactured in compliance with the EN 60335-1 standard.
- Triphase power supply 3 ~ 400 V Δ with earth connection (\*).

(\*): The TFAN batteries are supplied connected at the stated voltage. Optionally, they may be supplied connected for an operating voltage of 3 ~ 230 V Δ. If this is required, please state so in your order.

**Technical characteristics of construction**

- 1 From one to three stuffing boxes per heat stage, plus a stuffing box for control components.
- 2 Steel connection cover, with oven treated paint resistant to temperatures of up to 250 °C without deterioration.
- 3 From one to three steatite connection boards, one per stage. Nickel-plated internal connection bridges.
- 4 Bases for securing heating elements with tightening screws.
- 5 Mineral fibre insulation (in base box and drawer).
- 6 Steel base box for heating elements, with oven treated paint resistant to temperatures of up to 250 °C without deterioration, and stainless steel inner box.
- 7 Stainless steel bars for securing final guide base and tightening of cover.
- 8 Stainless steel final guide for supporting the heating elements.
- 9 Tubular elements in Ø10 mm AISI 321 or 304L. stainless steel tube, in alignments of 6 heating elements at ~230 V with wattage of 1000 W
- 10 Thermocouple probe Ø 6 Ni Cr / Ni Al (K type) with 3000 mm long compensating cables.

**Option all in stainless steel:** If you require, we can supply the TFAN models with connection cover (2), big box and base box for heating elements (5) all in stainless steel.



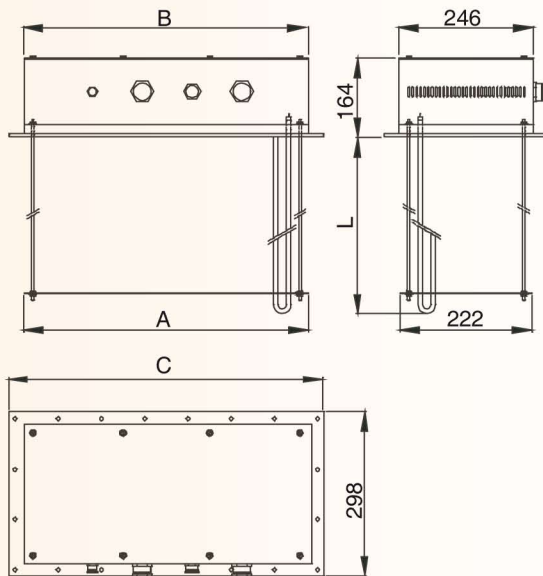
**MODELS TFAN**

Models available with elements in stainless steel tube AISI 321 Ø10 mm

Code	Power kW	Nº elements	Nº stages	Dimensions in mm				Weight in Kg
				A	B	C	L	
TFAN6	6	6	1 de 6 KW	90	118	162	440	6,3
TFAN12	12	12	1 de 12 KW	150	178	222	440	9,8
TFAN18	18	18	1 de 6 KW 1 de 12 KW	210	238	282	440	13,2
TFAN24	24	24	2 de 12 KW	270	296	343	440	16,7
TFAN30	30	30	1 de 6 KW 2 de 12 KW	330	352	404	440	20,1
TFAN36	36	36	3 de 12 KW	390	416	464	440	23,6
TFAN42	42	42	2 de 12 KW 1 de 18 KW	450	472	524	440	27,0
TFAN48	48	48	1 de 12 KW 2 de 18 KW	510	532	584	440	30,5
TFAN54	54	54	1 de 12 KW 1 de 18 KW 1 de 24 KW	570	592	644	440	33,9
TFAN60	60	60	1 de 12 KW 2 de 24 KW	630	652	704	440	37,4

**DIMENSIONS**

**MODELS TFAN**



**Note:** Batteries TFAN incorporate a thermocouple type "K" with aerial male connector and female bayonet. Although for some applications they aren't necessary, Electricfor recommends to install always minimum a sobretemperature sensor (sensor-regulator) and a flow switch.

**Sensor temperature type "K" for TFAN batteries**

Code	Description	Dimensions in mm
517380000	Type "K" sensor with aerial male connector and female bayonet connector	Ø6 x 475