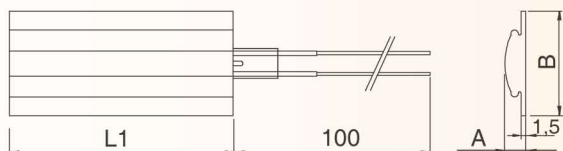


PTC HEATERS WITH ALUMINIUM PROFILE, HP RANGE

The HP series features a compact design and high power density. The flat aluminium housing can be easily installed and ensures optimum heat transfer. The ready-to-use heating element can be fixed using fixing holes on the profiles (e.g. drilled or punched mounting holes).

General characteristics

- Combination of heating and control in one element.
- Automatic control function.
- Protection: Class II (3750 V - 1 min)
- Virtually constant power input within a wide range of voltage: 100 - 240 V.
- Safety and longterm stability by self-regulating effect.



Code	Max. power	Reference temperature PTC	Nº PTC	Dimensions in mm		
				L1	A	B
HP01-4/18	200 W	180 °C	4	250	9,5	70
HP01-4/22	250 W	220 °C	4	250	9,5	70
HP04-1/07	15 W	70 °C	1	40	8,5 ± 0,3	35
HP04-1/09	17 W	90 °C	1	40	8,5 ± 0,3	35
HP04-1/13	23 W	130 °C	1	40	8,5 ± 0,3	35
HP05-1/09	40 W	90 °C	1	40	7 ± 0,3	35
HP05-1/13	50 W	130 °C	1	40	7 ± 0,3	35
HP05-1/18	90 W	180 °C	1	40	7 ± 0,3	35
HP06-2/18	160 W	180 °C	2	75	7 ± 0,3	35
HP06-2/24	200 W	240 °C	2	75	7 ± 0,3	35

PTC HEATERS WITH ALUMINIUM PROFILE, HT RANGE

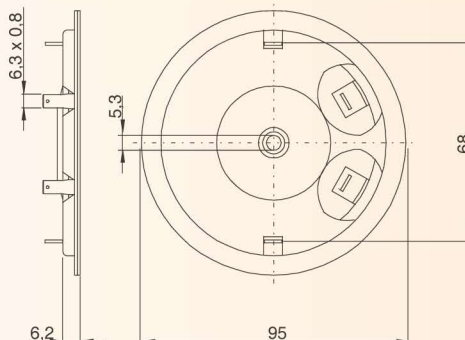
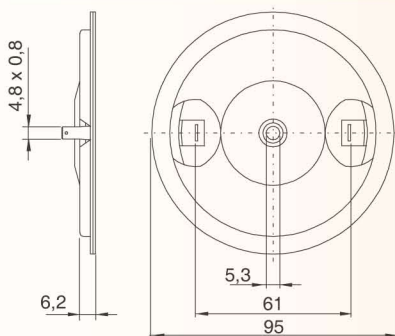
High-quality compact disc heating element with central mounting hole. The concave pre-stressed contact surface ensures form-fit contact and thus an optimum heat transfer. Equipped with spade terminals for electrical connection.

Models HT01

Code	Max. power	Reference temperature PTC	Nº PTC
HT01-3/23	90 W	230 °C	3
HT01-3/27	120 W	270 °C	3

Models HT02

Code	Max. power	Reference temperature PTC	Nº PTC
HT02-4/06	150 W	60 °C	4
HT02-4/18	170 W	180 °C	4
HT02-4/23	200 W	230 °C	4
HT02-4/27	375 W	270 °C	4



General characteristics

- Combination of heating and control in one element.
- Automatic control function.
- Protection: Class I (1250 V - 1 min)
- Virtually constant power input within a wide range of voltage: 100 - 240 V.
- Safety and longterm stability by self-regulating effect.
- With M5 central hole for fastening to flat surfaces



GROUP 5 - Self regulating heating elements

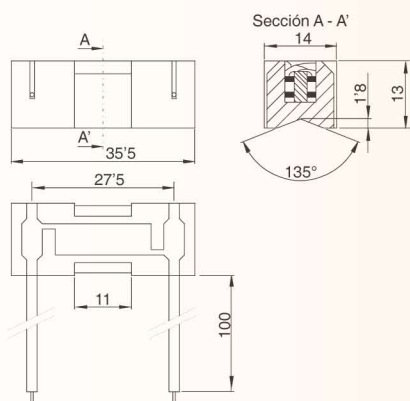
5.2 - PTC heating elements for anti-frost application

PTC HEATING ELEMENT FOR PIPE DEFROSTING APPLICATIONS. FE RANGE

Due to a prismatic contact area this element is eminently suitable for attachment to tubes with a diameter of approx. 6 - 14 mm. Fixing clips for attachment to the tube can be supplied separately.

General characteristics

- Stable power approx. 10 W
- Virtually constant power input within a wide range of voltages: 100 - 240 V.
- Max surface temperature approx. 140 °C.
- Protection: Class I (1250 V - 1 min).
- Heating element can be supplied with or without thermostat, normally closed, of 17 °C with differential of 9 °C.
- Ceramic casing with degree protection against moisture IP-54.



Code	Description	Max. power
FE10	PTC heating element to join to pipes Ø6 mm to Ø14 mm. Protection IP54	10 W
FE10-C	PTC chain of 5 elements FE10 to join to Ø6 mm to Ø14 mm. Protection IP54. With bimetallic thermostat of 17 °C.	53 W



FE