

**MULTI USE ELECTRICAL AIR HEATERS. ANB MODELS: MOBILE OR WALL INSTALLATION**

Model ANB3,6 is only for mobile use or fixed installation at 1'8m minimum height. The rest of the range of ANB air heaters are for mobile use or fixed installation at any height of the wall. If the ANB air heater is used as mural, it will fix on with the corresponding accessory. The wall fixing accessory allows the heater to be orientated in any direction thanks to its rotating capability up to 180°



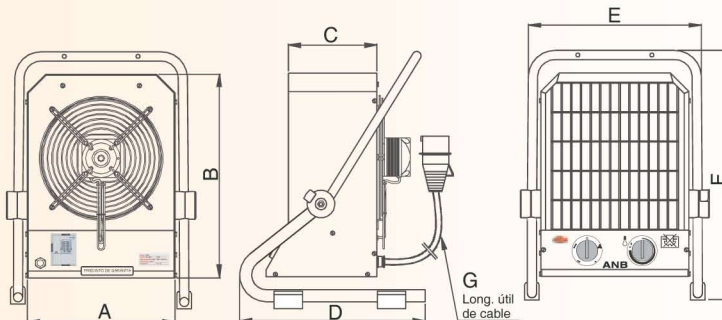
- The ANB electric air heater complies with EN 60335-1 norm and its correspondent 2-30.
- The ANB is a Class I electrical apparatus. Model ANB3'6 is monophase supply with earth connection. Model ANB3'6SN and ANB6SN is three-phase supply with earth connection. Models ANB3'6B, ANB6, ANB9, ANB12 and ANB17 are three-phase supply with neutral and earth connection.
- The ANB can be used as a mobile unit or as a fixed unit at any height of the wall
- It allows the heat to be directed vertically or horizontally with the wall fixed accessory.
- The ANB range is accredited by the prestigious laboratories of certification **LGAI** and **TÜV** in which they incorporate their respective brands, with the exception of models ANB3'6SN, ANB3'6B and ANB6SN.

**General characteristics**

- Wide operation possibilities that allow optimisation according to working conditions: from one to three heating stages plus one single ventilation function
- Room temperature selector. (Max approx. 39 °C)
- All models with hose cable (Long. 1'7 ms ANB3'6 - 6 - 9 and long. 2'1 m ANB12 - 17) and attachment plug type CETAC for the three-phase models and Schuko type of 16 A for model ANB3'6.
- 5 Vertical positions.
- The wall fixed accessory allows horizontal directioning of air heater in any direction owing to its capacity of swivelling 180°
- Manual reset over-temperature switch-off.
- Protecting grids that eliminate the risk of direct contact with the fan or indirect contact with the heater shield.
- Automatic function that eliminates the inertial heat of heating elements.
- Internal insulation chamber.

Model	Air flow m³/h (free discharge)	Heating power		Operating voltage V	Sound pressure level db	Operation			Weight in Kg			
		Kw	Kcal/h			0 Stop	* Ventilation	● 1/3 Heating power	●● 2/3 Heating power	●●● Full Heating power	No case	Case
ANB3,6	210	3,6	3100	~230	≈50			---	2400 W	3600 W	8,3	9,7
ANB3,6SN	210	3,6	3100	3 ~ 400	≈50	According to operation	According to operation	1200 W	2400 W	3600 W	8,3	9,7
ANB3,6B	210	3,6	3100	3N ~ 400	≈50			1200 W	2400 W	3600 W	8,3	9,7
ANB6SN	465	6	5160	3 ~ 400	≈50			2000 W	4000 W	6000 W	10,5	13,2
ANB6	465	6	5160	3N ~ 400	≈50			2000 W	4000 W	6000 W	10,5	13,2
ANB9	975	9	7740	3N ~ 400	≈45			3000 W	6000 W	9000 W	11,95	15,05
ANB12	1390	12	10320	3N ~ 400	≈50			4000 W	8000 W	12000 W	17,75	22,55
ANB17	1390	17	14620	3N ~ 400	≈50			5666 W	11333 W	17000 W	18,7	23,5

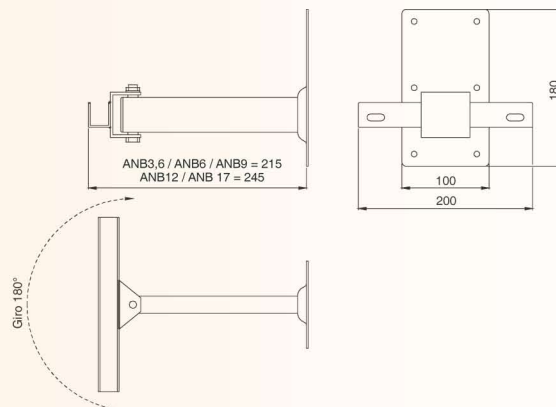
Model	Dimensions in mm						
	A	B	C	D	E	F	G
ANB3,6	220	338	172	349	274	445	1700
ANB3,6SN	220	338	172	349	274	445	1700
ANB3,6B	220	338	172	349	274	445	1700
ANB6SN	268	388	192	360	324	470	1700
ANB6	268	388	192	360	324	470	1700
ANB9	320	440	192	408	374	545	1700
ANB12	366	486	285	470	420	625	2100
ANB17	366	486	285	470	420	625	2100



**WALL FIXED ACCESSORY FOR ANB MODELS**



The wall fixed accessory will allow you to easily install your ANB blow heater on the wall of your premises. Its 180° horizontal turning support together with the 5 different vertical orientation positions allows the current of hot air supplied by the ANB to be directed in the direction that you want.



Code	Description	Weight in Kg	
		No case	Case
129098000	Wall fixed accessory for ANB3'6, ANB3'6SN, ANB3'6B, ANB6, ANB6SN and ANB9	1,06	1,21
129130000	Wall fixed accessory for ANB12 and ANB17	1,02	1,29